

# TECO SG2-E TYPE

**PRODUCTS:**

**SG2-8ER-D/8ET-D/8ER-12D/8ET-12D**

**SG2-8ER-A/8ER-24A**

**SG2-4AI**

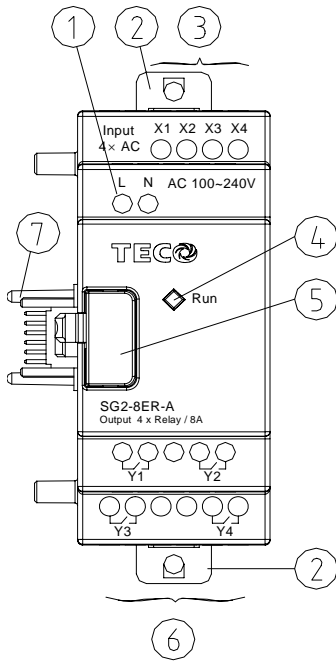
**WARN:**

**Unintentional equipment operation.**

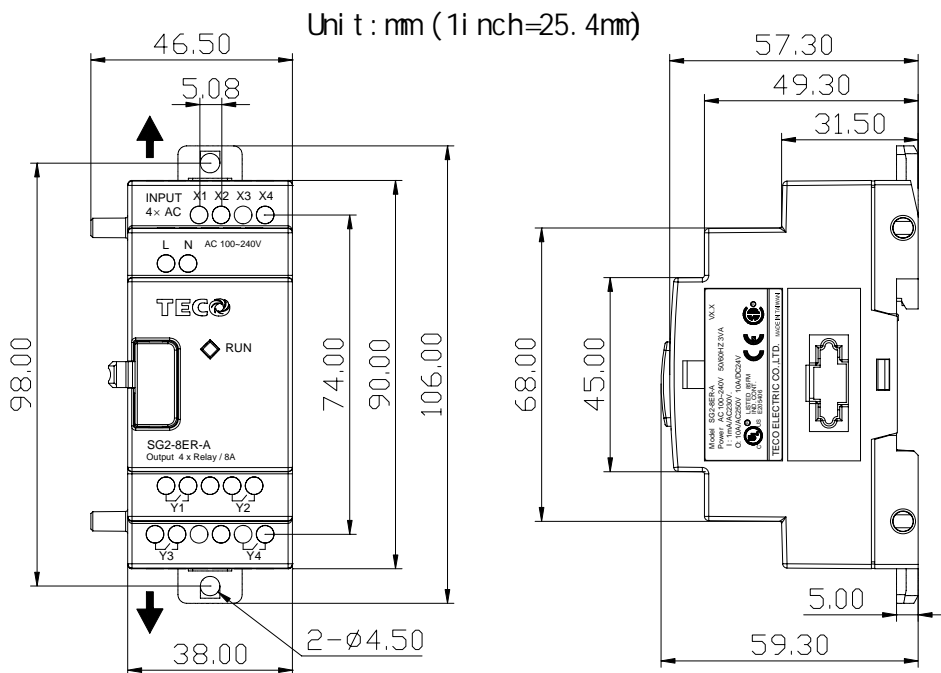
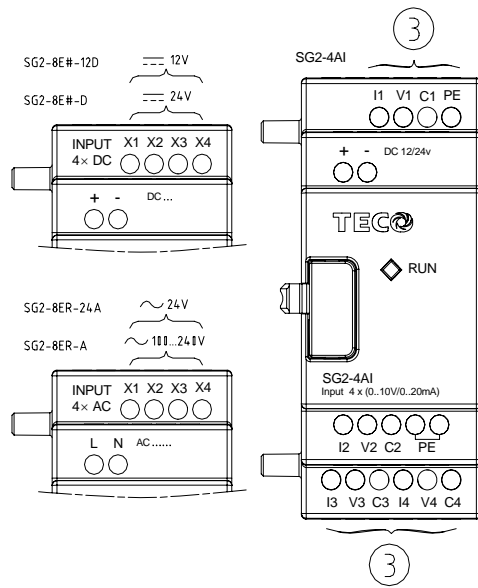
The application of this product requires know-how in design and program of control system.

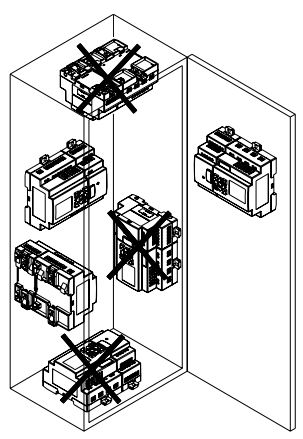
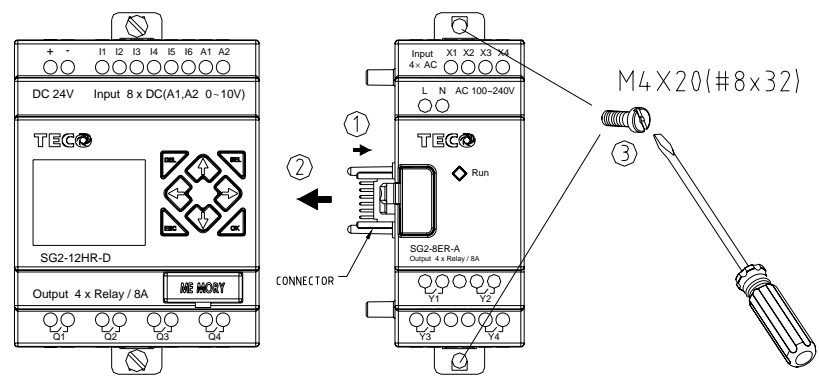
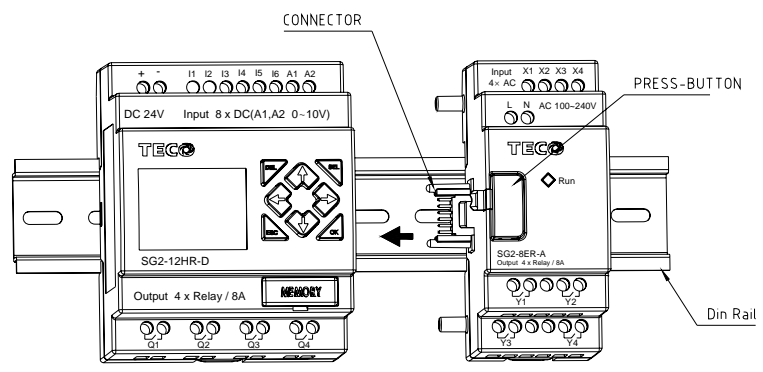
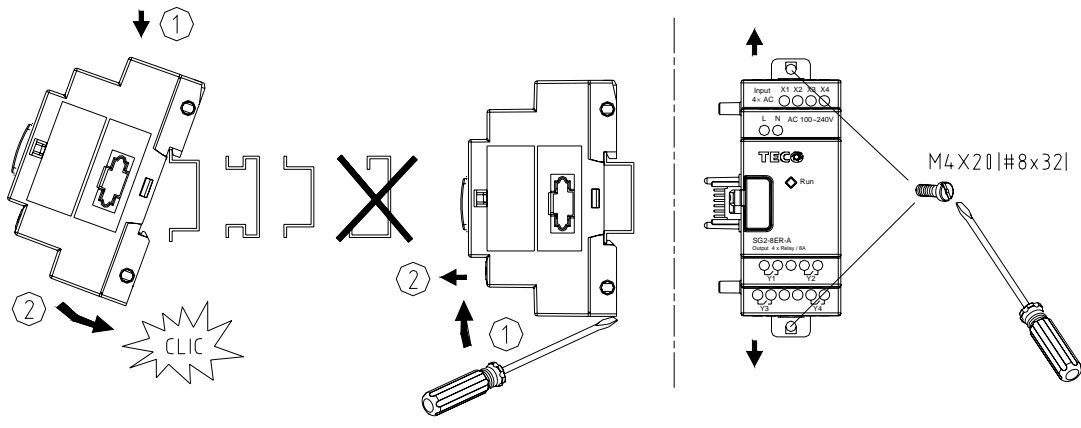
Only persons qualified are allowed to program, install and apply this product.

**Failure to follow this instruction will result in death, serious injury or equipment damage.**



- ① Power supply terminals
- ② Retractable mounting feet
- ③ Input terminal
- ④ Voltage/Operating mode green signaling LED
- ⑤ Press-button
- ⑥ Relay output terminals
- ⑦ Connector

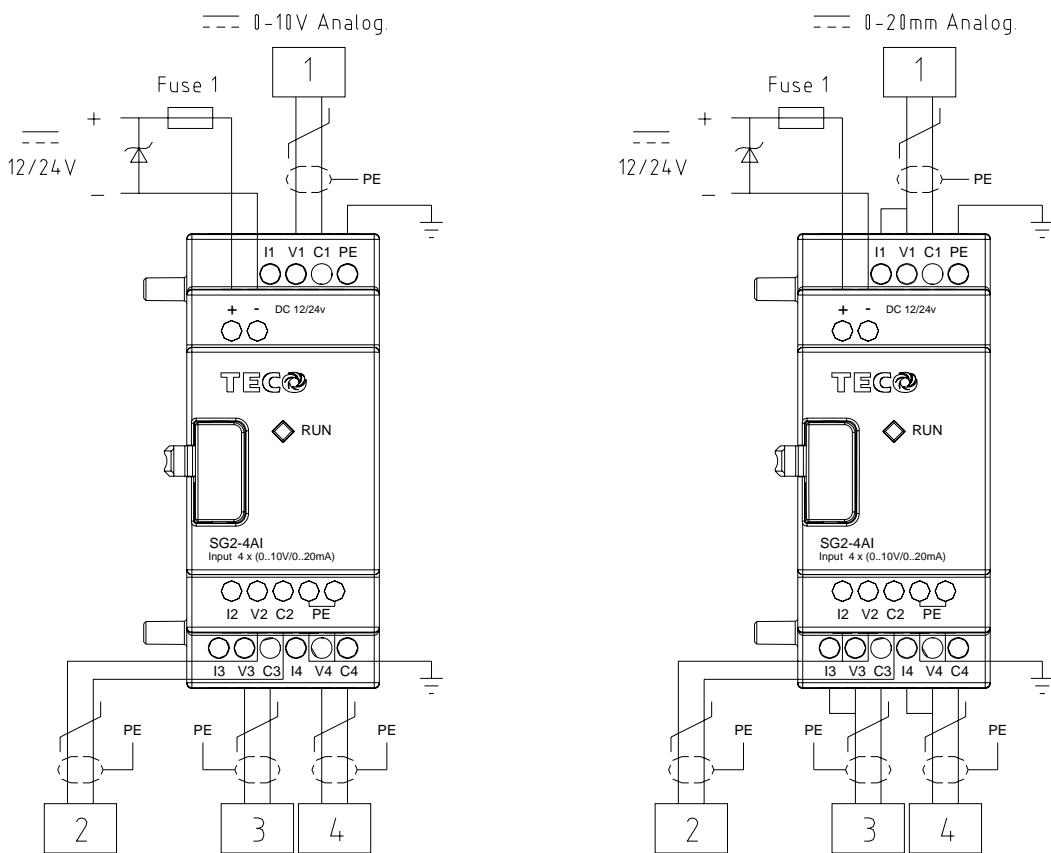
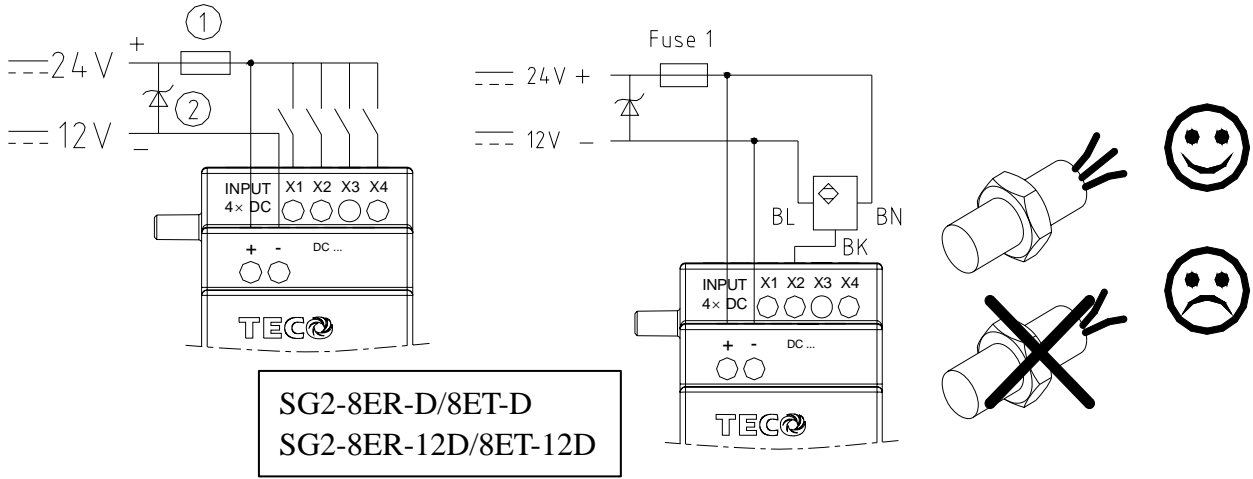




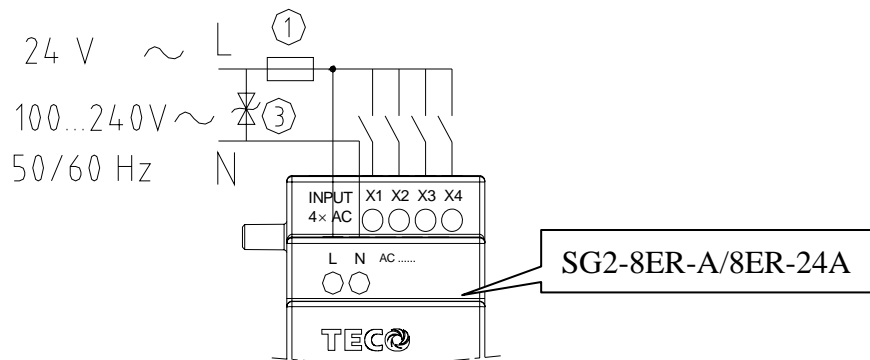
mm <sup>2</sup>	0.14...1.5	0.14...0.75	0.14...2.5	0.14...2.5	0.14...1.5
AWG	26...16	26...18	26...14	26...14	26...16
 Ø 3.5 (0.14in)	C		C		
			Nm	0.6	
			lb-in	5.4	

**DANGER:**  
**HAZARDOUS VOLTAGE**  
 Cut off all power before maintenance.  
**Electric shock will result in death or serious injury.**

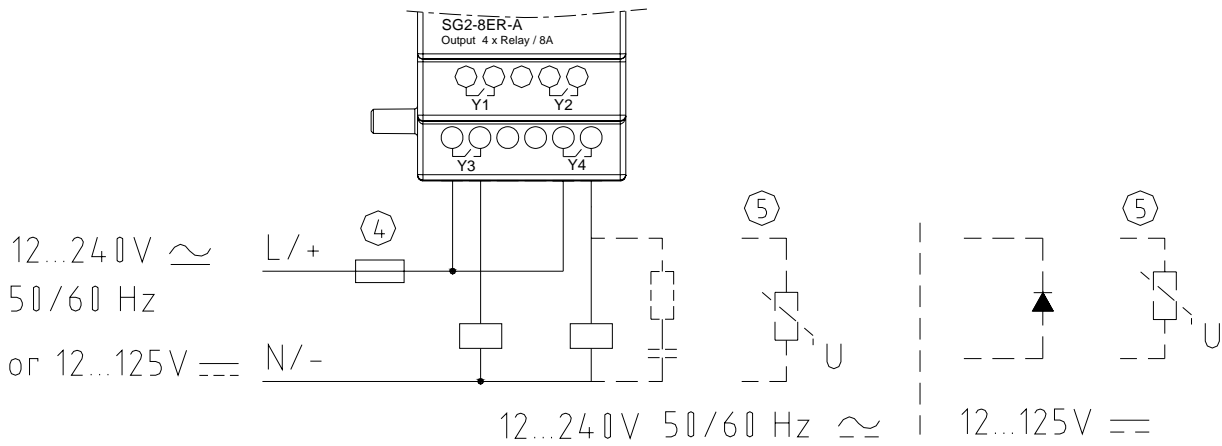
### Input 12/24V DC:



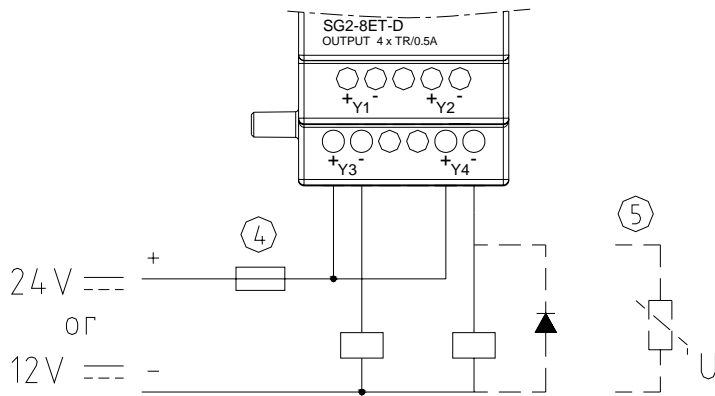
### Input 24V AC or 100...240V AC:



### Output (Relay):



### Output (Transistor):



- ①- 1A quick-blowing fuse, circuit-breaker or circuit protector
- ②- Surge absorber(36V DC)
- ③- Surge absorber(400V AC)
- ④- Fuse, circuit-breaker or circuit protector
- ⑤- Inductive load

Following is what the LED working in different state means:

