

3.5 Wiring diagram S310 series inverter

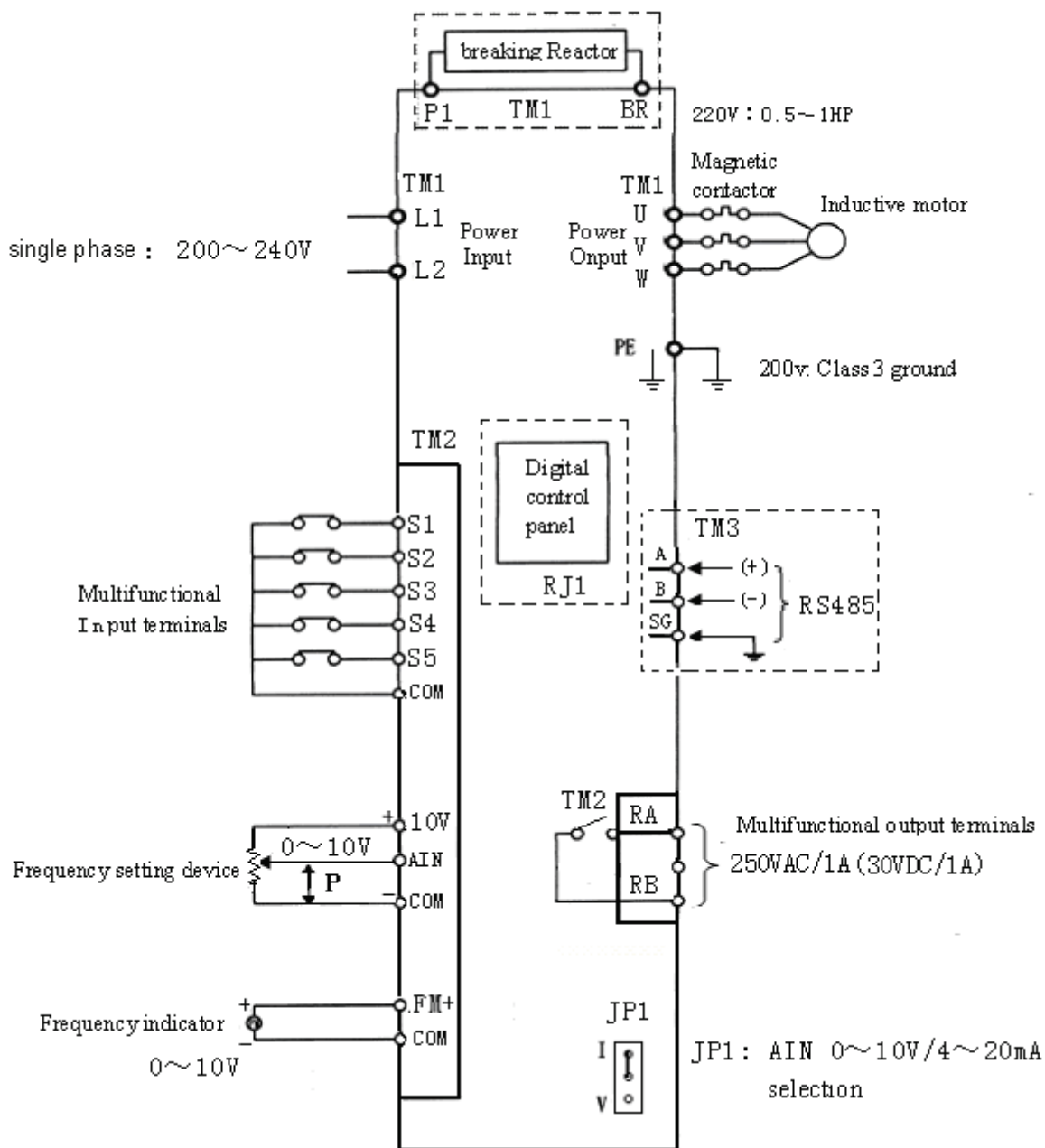


Figure 3-7 Wiring Diagram

Note 1: Please refer to description of main circuit terminals (P1, BR) and specification of braking resistor for value selection.

2: Dashed box built-in or none, please refer to CH2 Definition of model